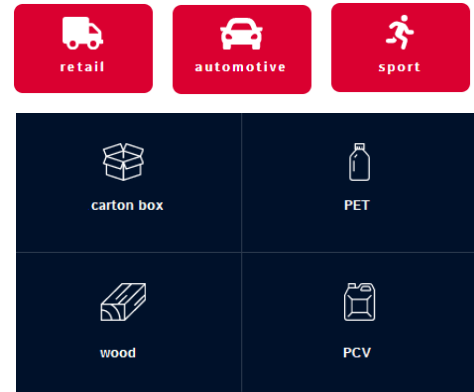




55 x 35

LUNNI



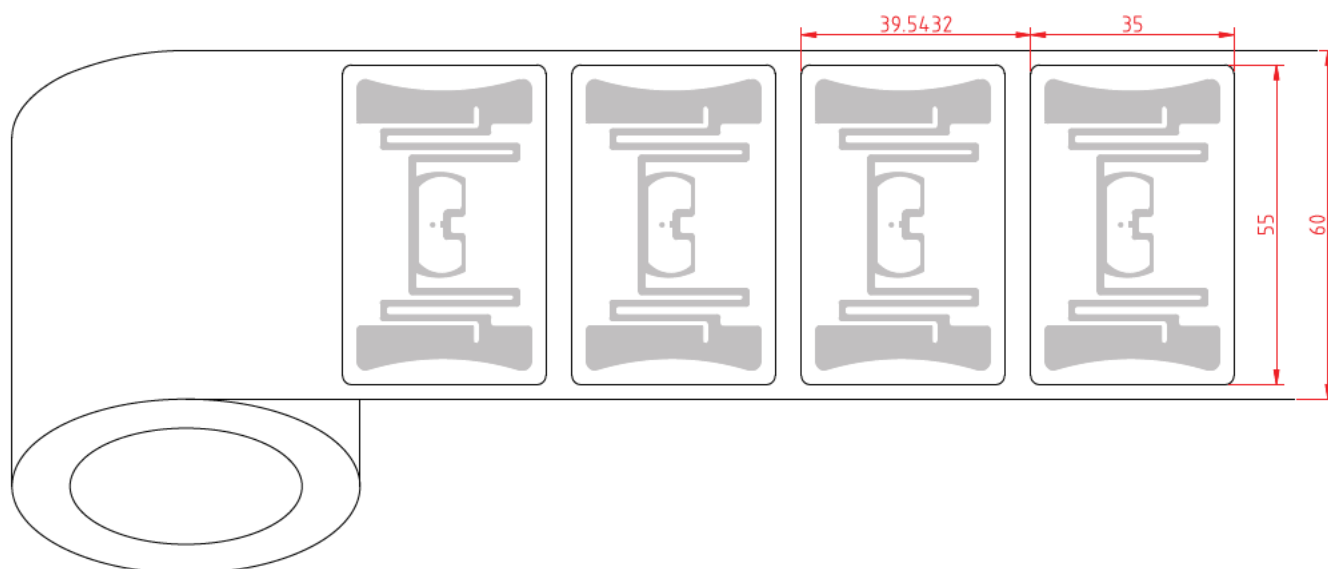
Technical overview

Chip model	NXP UCODE 8
Frequency band	(EU) 865-868 MHz
RFID Protocol	EPC Gen2v2
Memory	EPC 128 bit / TID 96 bit
Functionality	Read / Write
Data retention	Minimum 100k write cycle endurance

Product description

Antenna design	LUNNI
Antenna dimension	50x30
Facestock	WHITE PET
Adhesive	Acrylic based
Min. Application temp.	5 °C
Service temperature	-40°C to 80°C
Application	Carton box, wood, PET, PCV, HDPE





Label description

Label size	55x35 mm
Label pitch	39,54 mm
Web width	60 mm
Core diameter	76 mm
Quantity per reel	5000 pcs
Product code	P0020